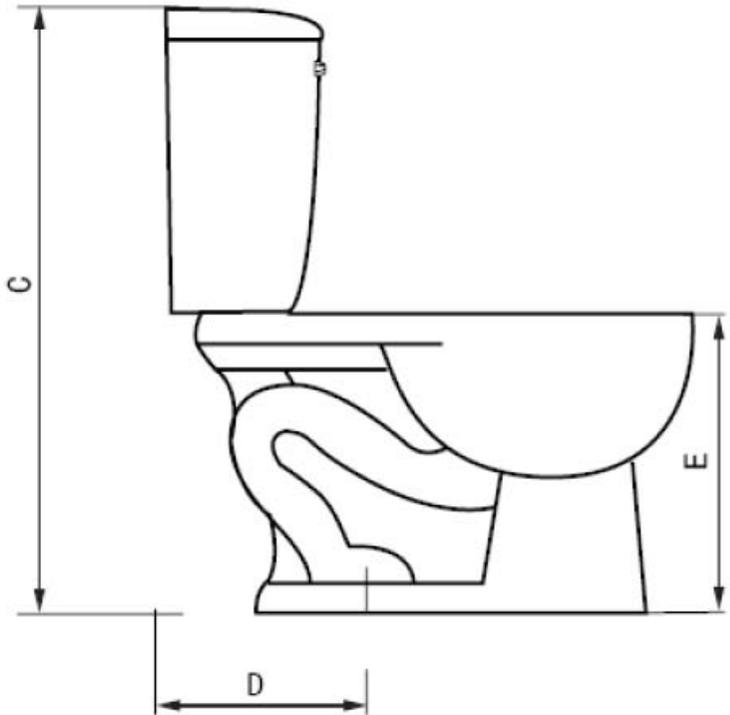
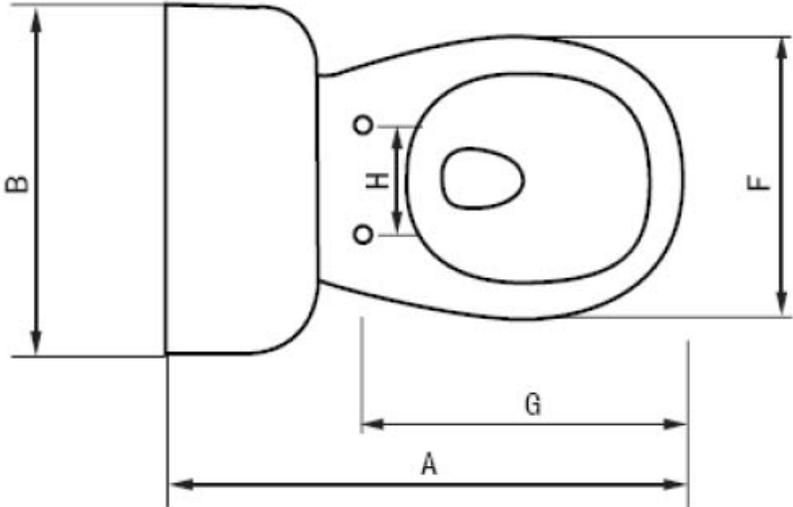


Z15R15/S17248



	inch	mm
A	26.4	670
B	16.1	408
C	30.1	764
D	12.0	305
E	15.0	380
F	14.4	365
G	16.5	420
H	5.5	140